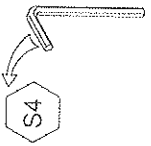


x12



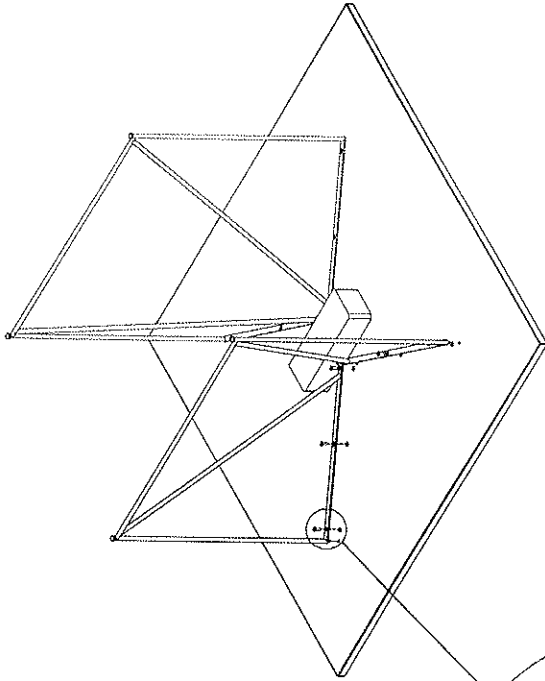
1



M:

DIN911

I



II

